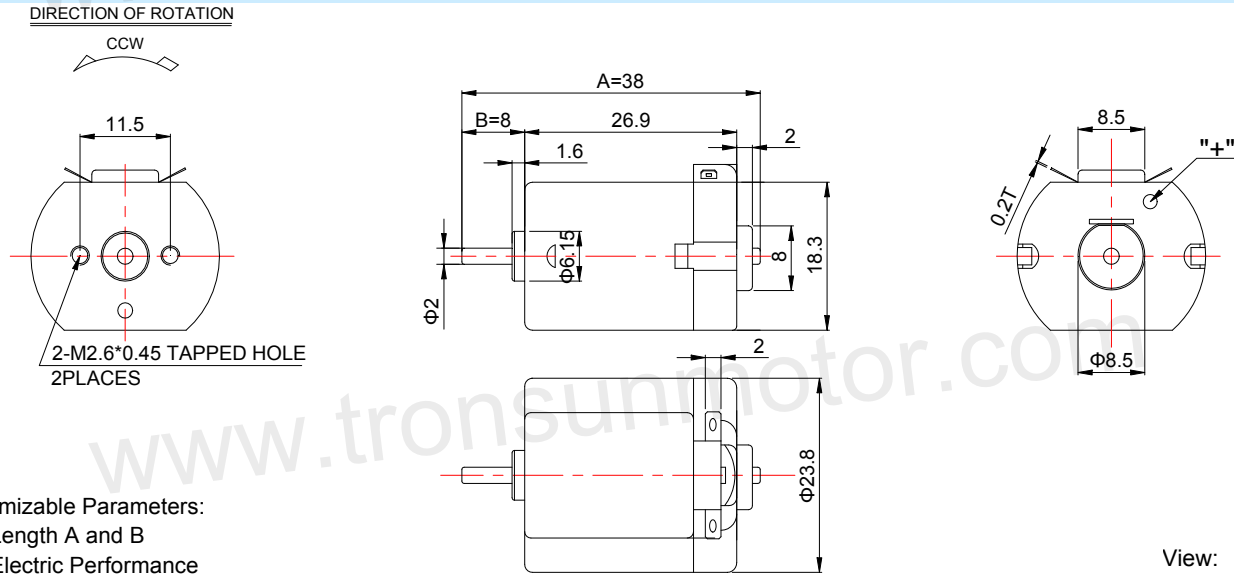


输出功率: 约0.5~8.0W
普通金属电刷马达/碳刷马达
典型应用: 电动玩具
无线控制模型
家用电器

OUTPUT: APPROX 0.5~8.0W
Metal-brush Motors/Carbon-brush Motors
Typical Applications: Electric Toys
Wireless Control Model
Household Appliances

1. OUTLINE DRAWING:

UNIT:MM

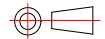


Customizable Parameters:

1. Length A and B
2. Electric Performance
3. Direction of Rotation
4. Eccentric Wheel is available

WEIGHT: 29g(Approx)

View:



2. MOTOR PERFORMANCE :

MODEL	VOLTAGE		NO LOAD		AT MAXIMUM EFFICIENCY					STALL	
	OPERATING RANGE	NOMINAL V	SPEED rpm	CURRENT A	SPEED rpm	CURRENT A	TORQUE g.cm	TORQUE mN.m	OUTPUT W	TORQUE g.cm	CURRENT A
FC-260SA-2590	1.5~4.0	3.0	7200	0.18	5800	0.73	19	1.86	1.13	96	2.92
FC-260SA-12250	6.0~24.0	24.0	20600	0.08	17500	0.46	32	3.14	5.74	220	2.60
FC-260RA-20120	2.0~5.0	4.5	10800	0.12	8920	0.57	14.8	1.45	1.35	85	2.70

